



Components and Service Manual Transfer Pump 2:1

1.8 Revision 01/04/15
Ref. NR-00061-ENG



Before installing and operating the pump, carefully read the technical and safety documentation in this manual. Special attention should be paid to the information in order to know and understand the handling and conditions of use of the pump. All of the information is aimed at enhancing user safety and avoiding possible faults due to incorrect use of the pump.



GUARANTEE

GARRAF MAQUINARIA, S. A. (hereinafter "GAMA") grants this Limited Guarantee to the original buyer (hereinafter the "Client") for the unit and the original accessories given with the unit (hereinafter the "Product") against any fault in the design, materials or manufacture of the Product at the time of the first purchase by the user and for a duration of two (2) years thereafter.

If during the guarantee period and under normal conditions of use, the Product should fail to work correctly due to defects of design, material or manufacture, the authorised distributor of the country where the GAMA Product or technical assistance service has been purchased shall repair or replace the Product in accordance with what is established in the following

CONDITIONS

- a) The validity of this guarantee will be subject to the presentation of the original invoice issued by the GAMA authorised distributor for the sale of the Product along with the Product handed over for repair or replacement, which must show the date of purchase and the serial number. GAMA reserves the right to refuse to give the guarantee service when the indicated data fail to appear on the invoice or have been modified after the purchase of the Product.
- b) The repaired or replaced Product will continue to maintain the original guarantee for the time remaining until the end of the guarantee or for three (3) months from the repair date, if the remaining period of the original guarantee were shorter.
- c) This guarantee will not be applied to the faults in the Product caused by its faulty installation, the natural wear and tear of the components, any use other than that considered normal for this Product or which should fail to strictly comply with the instructions of use provided by GAMA; due to accident, carelessness, adjustments, alterations or modifications of the Product not authorised by GAMA or due to the use of accessories, heating devices, pumping equipment and/or dispensers that have not been approved or manufactured by GAMA.
- d) The guarantee applicable to the components and accessories forming part of the Product and which have not been made by GAMA will be limited to the guarantee offered by the original manufacturer thereof.

GAMA WILL NOT RECOGNISE ANY EXPRESS ORAL OR WRITTEN GUARANTEES OTHER THAN THIS PRINTED LIMITED GUARANTEE. ALL IMPLICIT GUARANTEES, INCLUDING, WITHOUT LIMIT, ADAPTATION FOR A SPECIFIC USE, ARE SUBJECT TO THE DURATION OF THIS WRITTEN GUARANTEE. GAMA DOES NOT ASSUME ANY KIND OF COMMITMENT OR RESPONSIBILITY FOR ALL POSSIBLE DAMAGE OR EXPENSE CAUSED BY FAULTS IN THE OUTPUT OF THE PRODUCT, ITS WORKING OR THE DISPENSING OF MATERIAL THROUGH THE PRODUCT, INCLUDING, WITHOUT LIMITATION, ALL EXPENSES CAUSED BY DAMAGE TO PEOPLE OR PROPERTY. EQUALLY, GAMA WILL IN NO CASE ACCEPT LIABILITY FOR THE LOSS OF SPECULATIVE PROFITS OR COMMERCIAL LOSSES. ALL REPAIRS OR REPLACEMENT OF FAULTY PRODUCTS WILL CONSTITUTE THE COMPREHENSIVE FULFILMENT OF GAMA'S OBLIGATIONS WITH RESPECT TO THE CLIENT. GAMA DOES NOT IN ANY WAY GUARANTEE THE SUITABILITY OR APTITUDE OF ITS PRODUCT FOR ANY PARTICULAR PURPOSE OR APPLICATION.

All of the information provided on components which have not been manufactured by GAMA and which is based on reports received from the original manufacturer, though considered precise and reliable, is provided without any guarantee or responsibility of any explicit or implicit kind.

All concession, sale or financial leasing of the Product by GAMA in no case explicitly or implicitly constitutes any authorisation, acceptance or concession for the use of any rights or patents, nor does it encourage, nurture or back their infringement.

The restrictions on the guarantee suppose no limitation on the legal rights of the consumer established in applicable national legislation, nor do they affect any rights derived from the bargain and sale agreement between the consumer and supplier.



All of the information provided in this Service Manual has been included in the confidence that it is true, although it does not constitute any responsibility or implicit or explicit guarantee. GAMA reserves the right at any time and without prior warning to make all improvements and modifications necessary to this Service Manual, in order to rectify any possible typographical errors, increase the information contained or insert the changes caused to the characteristics and performance of the unit.

SAFETY AND HANDLING

This chapter contains important information regarding the safety, handling and use of the transfer pump.



Before installing and starting up the pump, carefully read all the technical and safety documentation included in this manual. Special attention should be paid to the information in order to know and understand the handling and conditions of use of the pump. All of the information is aimed at enhancing user safety and avoiding possible faults due to incorrect use of the pump.

A WARNING! *establishes information to alert on a situation that might cause serious injuries if the instructions are not followed.*

A PRECAUTION! *establishes information that indicates how to avoid damage to the pump or how to avoid a situation that could cause minor injuries.*

A NOTE *is relevant information on a procedure being carried out.*

Careful study of this manual will help you to become more acquainted with the pump and the procedures. Following the instructions and recommendations here will reduce the potential risk of accidents in installing, using or maintaining the pump, and will give you the problem-free operation for a longer time, greater output and the possibility of detecting and resolving problems quickly and simply.

Keep this Service Manual for future consultation of useful information at all times. If you lose the manual, ask for a new copy from your local **GAMA** distributor or make direct contact with **Garraf Maquinaria, S. A.**

These instructions must be complemented by the national requisites in order to prevent accidents and protect the environment.



Service and Components Manual

When working with the pump, it is essential to dress suitably and use personal protective equipment, including the unlimited use of gloves, protective goggles, safety footwear and face masks. Use breathing equipment when working with the pump in enclosed or insufficiently ventilated atmospheres. The introduction and monitoring of safety measures must not be limited to those described in this manual. Before starting to use the pump, a rigorous analysis must be made of the risks derived from the products to be dispensed, the type of application and the working environment.



To prevent all possible body harm caused by incorrect handling of the raw materials and solvents used in the process, carefully read the safety information provided by your supplier.

Deal with all waste according to each country's current regulations.



The high speed of the product flowing through the conducts might cause static electricity shown by small shocks and sparks. The pump should be grounded.

***WARNING!* In potentially explosive atmosphere, the ground connection must be made before the pump is brought into operation.**



To avoid damage caused by the impact of pressurized fluids, do not open any connection or perform maintenance work on components subject to pressure until the pressures have been completely eliminated.

Use suitable protection when operating, maintaining or remaining in the operating area of the pump. This includes, but is not limited to, the use of masks, protective goggles, gloves, shoes and safety clothing.



Do not touch the sleeve of the pneumatic motor. The air decompression that drives the piston cools the surface considerably after a few minutes of operation, which might cause freezing in contact with the skin. Use gloves or allow the surface to warm in all maintenance work.



To prevent serious harm by crushing or loss of limbs, do not work with the unit without the safety protections duly installed on all moving parts. Make sure that all of the safety protections are correctly fitted after all repair or maintenance work.



TYPICAL INSTALLATION

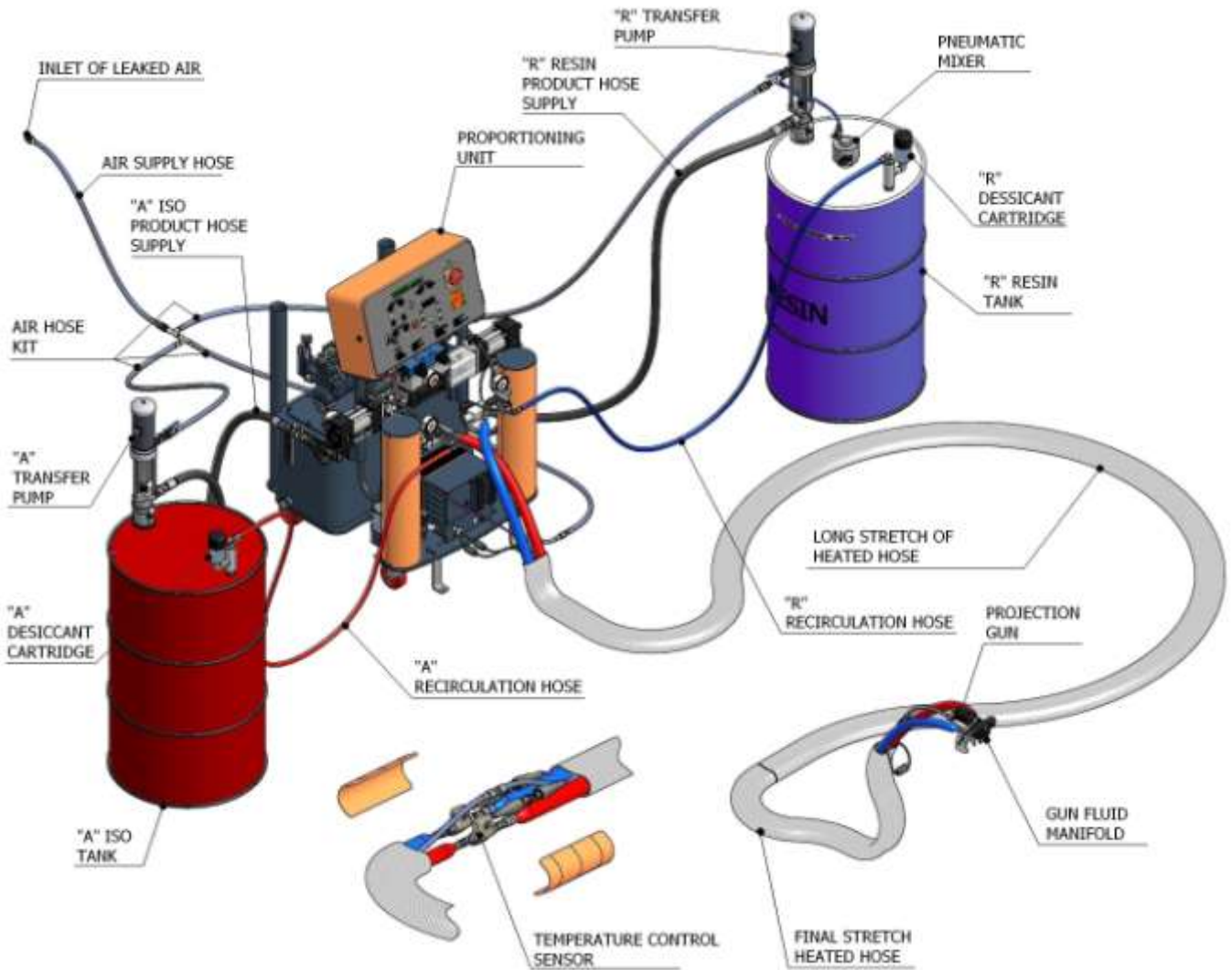


Figure 1. Typical Installation in a G-50 H with recirculation.



DESCRIPTION

The **GAMA 2.25:1** pump is a pneumatically-driven, double effect, alternating pump used for moving liquids with a maximum viscosity of 2,000 mPas.

The compressed air causes the alternating rising and falling movement in the pneumatic piston, which is transmitted by means of a connection rod to the plungers of the upper and lower chamber of the pump, thereby sucking and driving the fluid.

The fluid output pressure is 2.25 times higher than the air pressure causing the movement of the pneumatic piston.

All materials coming into contact with the fluid are made in stainless steel of the highest quality.



OPERATION DIAGRAM

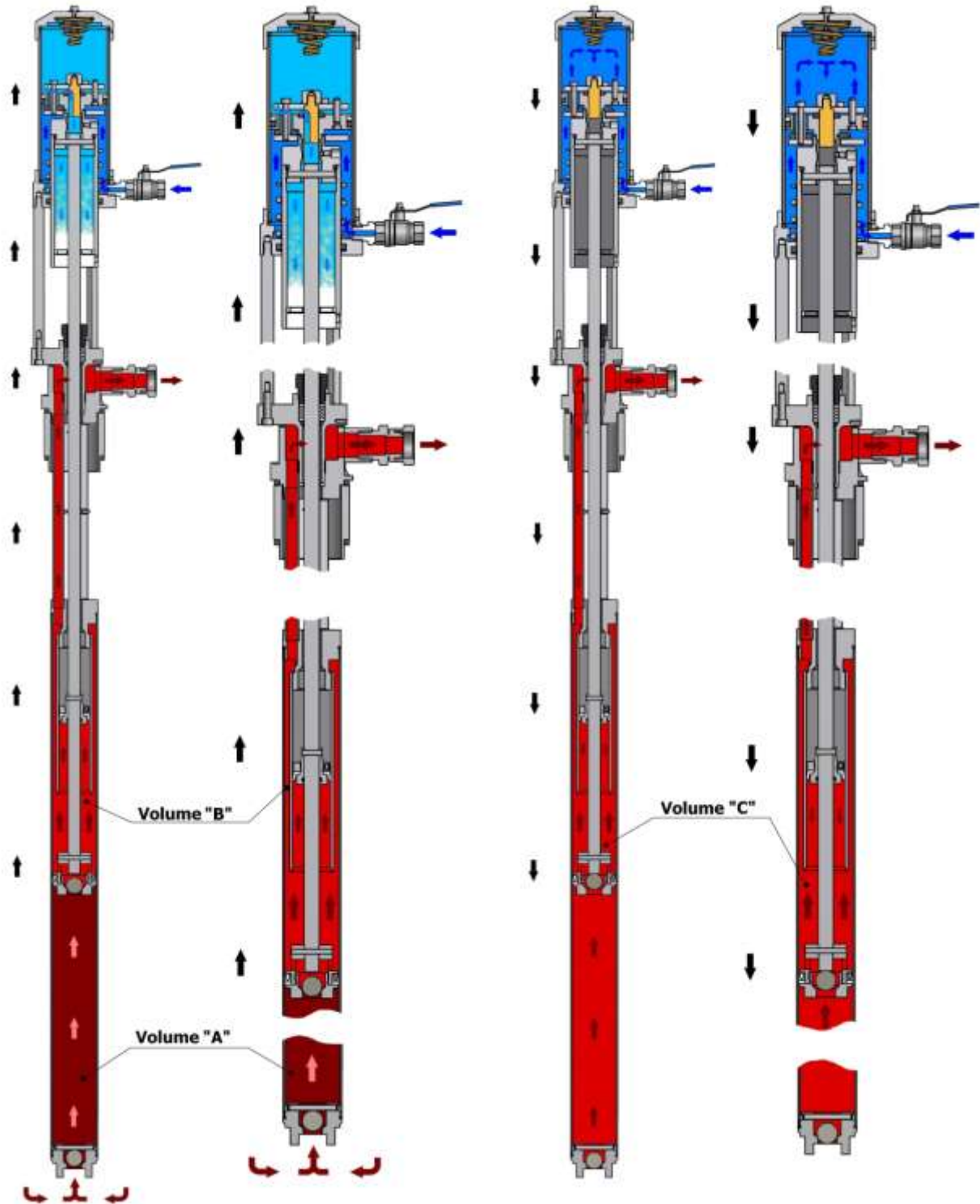


Figure 2. Operation Diagram



PNEUMATIC MOTOR OPERATION

Process of reversing the movement of the pneumatic piston.

- The pump movement is reversed thanks to a floating mechanism in the pneumatic piston. When it rises, the air in the lower chamber of the piston pushes it upwards, the air in the upper chamber is decompressed and released from the motor through the piston shaft.
- When the piston makes contact with the upper spring, a valve is opened inside it that allows the air entering the motor to go straight into the upper chamber, thus pushing the piston down.
- When the piston makes contact with the lower spring, the internal valve is closed and the air pressure pushes the piston upwards, whereas the pressurized air in the upper chamber is released through the piston shaft.

PUMPING MECHANISM OPERATION

Up stroke (see Figure 2 left side)

- The lower plunger of the pump rises and keeps the valve of the upper plunger closed, pushing the product in the upper chamber to the pump outlet (volume "B"). The depression produced in the lower chamber of the plunger in the rising movement opens the ball of the lower valve, thus sucking the fluid in from the vessel (volume "A").

Down stroke (see Figure 2 right side)

- The lower plunger of the pump moves downwards and exerts pressure on the lower ball, closing it mechanically. The same downwards movement opens the ball of the upper valve, allowing the fluid from volume "A" into the intermediate chamber and the surplus material (half of volume "A") is moved to the pump outlet (volume "C").

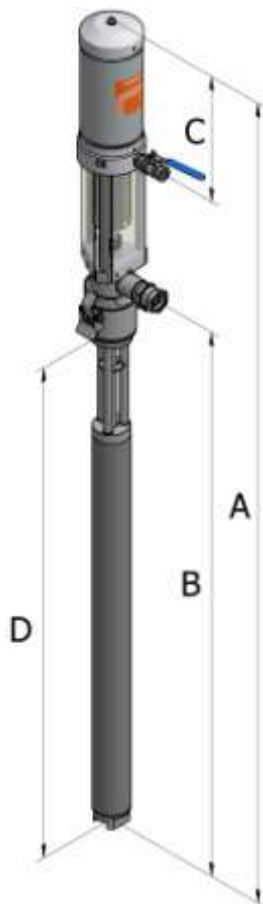
N.B.: The pump only sucks material when it rises (Volume "A"), but drives material when it rises (Volume "B") and when it falls (Volume "C").

$$\text{Volume "A"} = \text{Volume "B"} + \text{Volume "C"}.$$



TECHNICAL SPECIFICATIONS

Pressure ratio: _____ 2.25:1 (@ 7 bar air – 15.7 bar product)
 Maximum fluid pressure: _____ 22.5 bar
 Maximum air inlet pressure: _____ 10 bar
 Maximum fluid temperature: _____ 85°C.
 Maximum outlet volume: _____ 20.8L./min
 Piston movement: _____ 101.6mm (4")
 Suction volume (only rising): _____ 206cm³
 Transfer volume (by stroke/cycle): _____ 103cm³/206cm³
 Volume of consumed air (by stroke/cycle) @ 7 bar: _____ 1.6L/3.2L
 N. cycles to transfer 1 litre: _____ 4.85
 Weight: _____ 10.5Kg (23.15lb)
 Air connection: _____ 1/4"NPT
 Product outlet connection: _____ 3/4"NPT
 Noise level @ 7 bar (air): _____ 85 (A) dB



DIMENSIONS		
	PU-04002 mod. 54" (1371.6)	PU-04003 mod. 46" (1168.4)
A.	1371.6 mm (54")	1168.4 mm (46")
B	876 mm (34.5")	673 mm (26.5")
C	244.5 mm (9.62")	244.5 mm (9.62")
D	842 mm (33.15")	639 mm (25.16")

Figure 3. General Dimensions



KITS LIST OF TRANSFER PUMPS

**Table 1. Kits List of Transfer Pumps
According to model Unit, Length & Pump Size**

	PU-04002 (54" Pump)		PU-04003 (46" Pump)	
	Hoses Length 3,5 mts.	Hoses Length 5 mts.	Hoses Length 3,5 mts.	Hoses Length 5 mts.
G-140 H G-250 H G-30 H G-50 H	NE-00040	NE-00040-01	NE-00040-02	-
G-125 A G-200 A VR	NE-00041	NE-00041-03	-	-
COMPACT ES-125 A	NE-00041-01	-	-	-
EASY-SPRAY (without tanks)	NE-00041-02			



TRANSFER PUMPS KITS

Table 2. Transfer Pump Kit NE-00040, Parts List





PU-04002	2x Machine	Standard Transfer Pum Assy
<p>Connection kit for air compressor. For hydraulic machines except for VR model:</p>	<p>MA-00034</p>	
<p>1x machine / 1x 2 Pumps</p>		
<p>Air supply connection kit for hydraulic machines except for VR model:</p>	<p>MA-00035</p>	
<p>1x machine / 1x 2 Pumps</p>		
<p>Product hose:</p>	<p>MA-00026</p>	
<p>2x machine / 1x Pump</p>		
<p>Product outlet connection:</p>	<p>RA-00212</p>	
<p>2x machine / 1x Pump</p>		



Table 3. Transfer Pump Kit NE-00040-01, Parts List





PU-04002	2x Machine	Standard Transfer Pum Assy
Connection kit for air compressor. For hydraulic machines except for VR model:		
MA-00034		
1x machine / 1x 2 Pumps		
Air supply connection kit for hydraulic machines except for VR model:		
MA-00035-1		
1x machine / 1x 2 Pumps		
Product hose:		
MA-00026-01		
2x machine / 1x Pump		
Product outlet connection:		
RA-00212		
2x machine / 1x Pump		



Table 4. Transfer Pump Kit NE-00040-02, Parts List





PU-04003	2x Machine	Short Transfer Pum Assy
<p>Connection kit for air compressor. For hydraulic machines except for VR model:</p> <p>MA-00034</p> <p>1x machine / 1x 2 Pumps</p> 		
<p>Air supply connection kit for hydraulic machines except for VR model:</p> <p>MA-00035</p> <p>1x machine / 1x 2 Pumps</p> 		
<p>Product hose:</p> <p>MA-00026</p> <p>2x machine / 1x Pump</p> 		
<p>Product outlet connection:</p> <p>RA-00212</p> <p>2x machine / 1x Pump</p> 		



Table 5. Transfer Pump Kit NE-00041, Parts List





PU-04002	2x Machine	Standard Transfer Pum Assy
Connection kit for air compressor. For pneumatic machines and VR model: MA-00032 1x machine / 1x 2 Pumps		
Air supply connection kit for pneumatic machines and for VR model: MA-00033 2x machine / 1x Pump		
Product hose: MA-00026 2x machine / 1x Pump		
Product outlet connection: RA-00212 2x machine / 1x Pump		



Table 6. Transfer Pump Kit NE-00041-01, Parts List






PU-04002	2x Machine	Standard Transfer Pum Assy
<p>Connection kit for air compressor. For pneumatic machines and VR model:</p> <p>MA-00032</p> <p>1x machine / 1x 2 Pumps</p>		
<p>Air supply connection kit for pneumatic machines and for VR model:</p> <p>MA-00033</p> <p>2x machine / 1x Pump</p>		
<p>Product hose:</p> <p>MA-00026</p> <p>2x machine / 1x Pump</p>		
<p>Product outlet connection:</p> <p>RA-00212</p> <p>2x machine / 1x Pump</p>		
<p>Air Distributor:</p> <p>RA-00095 2x máquina / 1x bomba</p> <p>NE-00068 1x máquina / 1x 2 bombas</p> <p>RA-00054 1x máquina / 1x 2 bombas</p>		



Table 7. Transfer Pump Kit NE-00041-02, Parts List









PU-04002	2x Machine	Standard Transfer Pum Assy
<p>Connection kit for air compressor. For pneumatic machines and VR model:</p>	MA-00032	
1x machine / 1x 2 Pumps		
<p>Air supply connection kit for pneumatic machine Easy Spray:</p>	MA-00035-3	
1x machine / 1x 2 Pumps		
<p>Product hose:</p>	MA-00026	
2x machine / 1x Pump		
<p>Product outlet connection:</p>	RA-00212	
2x machine / 1x Pump		
<p>Air Connection for Easy Spray:</p>	<p>RA-00135 1x machine / 1x 2 Pumps RA-00109 1x machine / 1x 2 Pumps RA-00048 2x machine / 1x Pump</p>	



Table 8. Transfer Pump Kit NE-00041-03, Parts List

PU-04002	2x Machine	Standard Transfer Pum Assy
<p>Connection kit for air compressor. For pneumatic machines and VR model: MA-00032</p>	1x machine / 1x 2 Pumps	
<p>Air supply connection kit for pneumatic machines and for VR model: MA-00033-4</p>	2x machine / 1x Pump	
<p>Product hose: MA-00026-01</p>	2x machine / 1x Pump	
<p>Product outlet connection: RA-00212</p>	2x machine / 1x Pump	



INSTALLATION

Reception

Although all precautions are taken in packing and sending in the factory, the goods must be checked when they are received. Make sure that all the parts and accessories on the remittance are correct and have not been damaged in transport.

In the package, along with the pump you must receive 2 tools for tightening the stop valves (HT-00077).

Storage

If the pump is going to be stored before installation, leave it in a clean and dry place. Do not remove the protection caps from the connections to prevent dirt from entering the pump.

Assembly

1. Screw the clip of the transfer pump onto the drum. Make sure the corresponding seal is included. Insert the pump with its seal into the clip and the drum, close the two staples to hold the pump to the clip.



2. Screw the 1/4"NPT-1/4"BSP thread adapter and the ball valve on to the pump, placing sealing paste or teflon tape on the threads to ensure that the unit is properly sealed. Make sure that the ball valve is closed. Do not connect the network air supply yet.



N.B.: The thread adapter and the ball valve are not supplied with the pump. These parts are included in Transfer Pump Kits (See Table 1).

Service and Components Manual



3. Screw the RA-00012 product outlet connector on the 3/4"NPT thread of the pump.

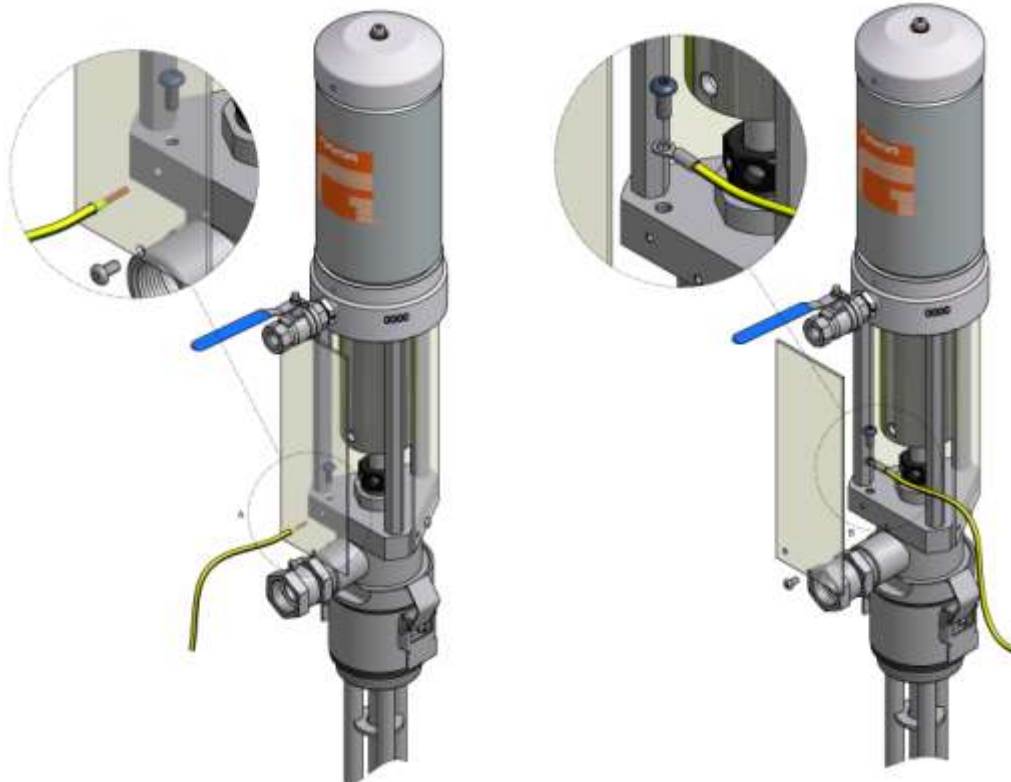
N.B.: The connector is not supplied with the pump. This Part is included in Transfer Pump Kits (see Table 1)



The high speed of the product flowing through the conducts might cause static electricity shown by small shocks and sparks. The pump should be grounded with a wire connected to mass on the fixture provided.

WARNING! In potentially explosive atmospheres or with flammable products, the ground connection must be made before the pump is brought into operation.

4. A wire may be used with a peeled end, which is inserted through the protection in the drill hole provided and fixed with the bolt (figure on the left), or, if you prefer, a wire may be used with a terminal for M5 bolt, which is fixed as shown in the drawing (figure on the right).



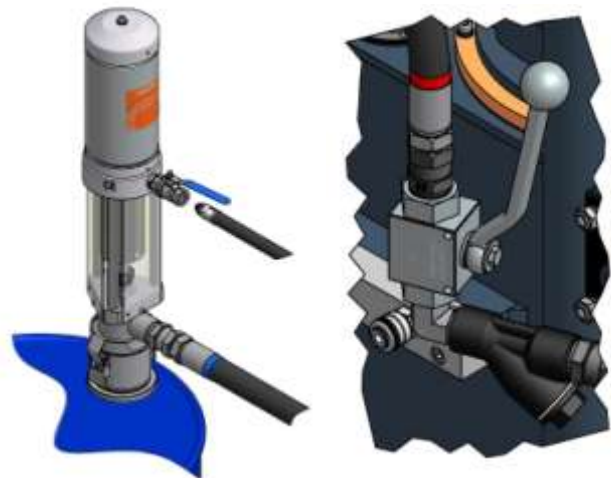
5. Screw MA-00026 product hose on the pump connection and the machine valve. Place sealing paste or Teflon tape on the threads to ensure that the unit is sealed.



N.B.: The MA-00026 hose is not supplied with the pump. This Part is included in the Transfer Pump Kits (see Table 1).

6. Open the ball valve on the machine inlet.
7. Now connect the air supply hose and open the air valve on the machine to start the transfer pump.

Do this by slowly opening the valve until the pump piston begins to move. Use the valve opening to control the speed of the pump.



The transfer pump is used to transfer both isocyanates and polyols. However, once one of the two products has passed through it, it is recommendable to identify it by marking it clearly and visibly in order to know which product it contains or which product has been transferred. Any mistake putting it into the wrong product drum or attaching the wrong hose connection would contaminate the pump and render it useless.

Never allow the pump to continue working without product, as this could rapidly damage the seals. Stop the pump if you see that it accelerates fast or moves too rapidly.



N.B.: For the installation of the kit NE-00041-01, mount the items NE-00068 (1x), RA-00054 (1x) and RA-00095 (2x) inserted in the machine after the air filter as the following figures show.



Figure 4. Compact ES-125 A Assy

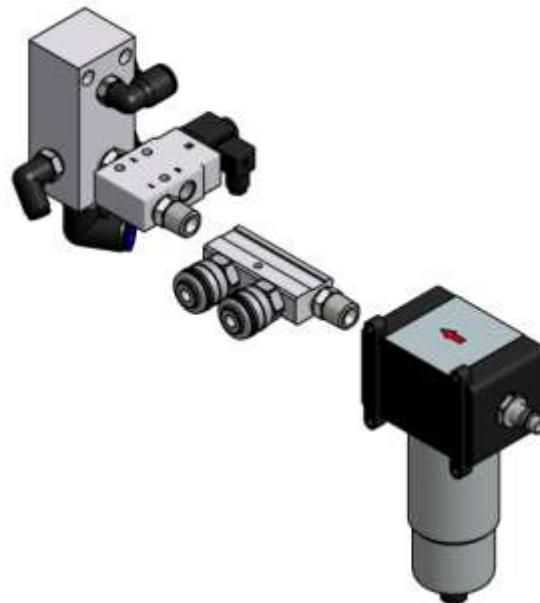


Figure 5. Easy-Spray Assy



STOPPING METHOD

When you want to stop the pump, shut off the air supply with the ball valve, and then disconnect the air connector.

If the pump is going to be shut down for a short time, it is best not to empty it as this prevents air and damp from entering and avoids any contamination.

If the pump is to be shut down for a long period of time, it must be completely emptied of product and carefully and thoroughly cleaned with a cleaning agent (DOP). It must then be stored in a clean, dry place.



WARNING! *Do not touch the sleeve of the pneumatic motor. The air decompression that drives the piston cools the surface considerably after a few minutes of operation, which might cause freezing in contact with the skin. Use gloves or allow the surface to warm in all maintenance work.*

CLEANING

Cleaning is understood as the cleaning that has to be done before using a different product or when a long period of inactivity is expected for the pump and the metering unit.

Follow the recommended procedure in the order indicated to perform the cleaning when you have to change the components of the system:

- a) Place two drums of DOP cleaning agent near the metering unit.
- b) Remove the gun and leave the coupling block connected to the hoses.
- c) Remove the transfer pumps from the drums of product and place them in the drums of DOP cleaning agent.
- d) Place a vessel under the coupling block to gather up the products contained inside the machine.
- e) Open the taps of the coupling block and start up the metering unit.
Make sure the machine product inlet valves and the air inlets valves to the pumps are open.
- f) Allow the products to come out until you see that only DOP cleaning agent comes out free of impurities.
- g) Close the taps of the coupling block and stop the metering unit.
- h) Close the air inlet taps to the pumps and place the transfer pumps in the drums of the new products.

Service and Components Manual



- i) Place a vessel under the coupling block to collect the DOP cleaning agent.
- j) Open the taps of the coupling block and start up the metering unit.
- k) Open the air inlet valves to the pumps.
- m) Allow DOP cleaning agent to come out until you see that only the new products come out.
- n) When the products come out without the contamination produced by the effect of the DOP cleaning agent, the cleaning process is complete and you can proceed as normal.

If a long period of inactivity is expected, it is advisable to suck in DOP cleaning agent and leave it inside the pump. It must then be stored in a clean, dry place.

N.B.: Keep all hazardous fluids in suitable containers. These products have to be eliminated according to the current laws of each country.



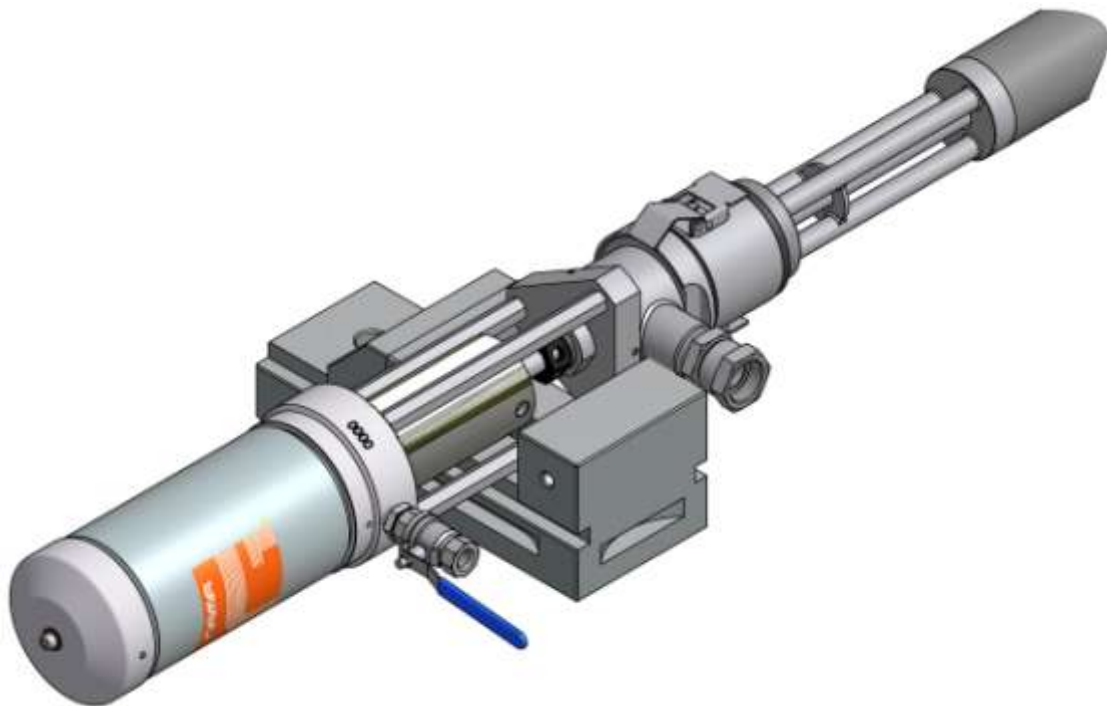
DISMANTLING AND MAINTENANCE

WARNING! Before dismantling the pump or carrying out maintenance on it, disconnect the air supply and depressurise the pump.

N.B.: All of the threads of the different components in the pump are tightened clockwise.

N.B.: If you are going to replace a kit of seals, replace all of those included in the kit supplied. Although there may seem to be seals in a good state, the combination of new seals with seals that have been worn by the accumulated work can cause the pump to work badly.

1. To facilitate the pump dismantling and assembly, place it in a vice, holding it by the triangular base of the body, having previously removed the polycarbonate protections.



Before fixing the pump in a vice, remember to remove the three polycarbonate protections.

Service and Components Manual



2. Unscrew the pump suction valve using a 42mm or 1 5/8" spanner (not supplied).



Use a belt spanner (not supplied) to loosen the valve, if necessary, placing it as close as possible to the end of the pipe in order to avoid deformations.



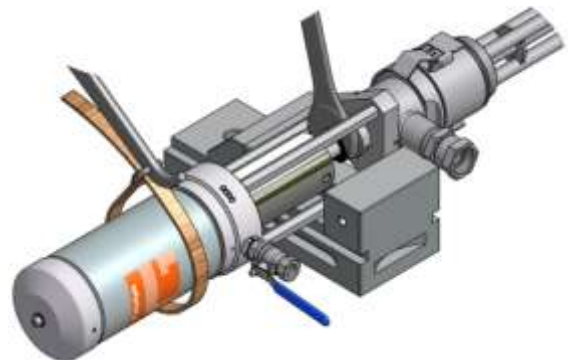
The pneumatic cylinder contains pressurised air that must be removed before dismantling. All failure to observe this step can cause serious injuries.

3. Depressurise the pneumatic cylinder as follows:
 - Disconnect the air supply.
 - Open the air inlet valve.
 - Loosen the purging screw of the pneumatic cylinder on the top cover.

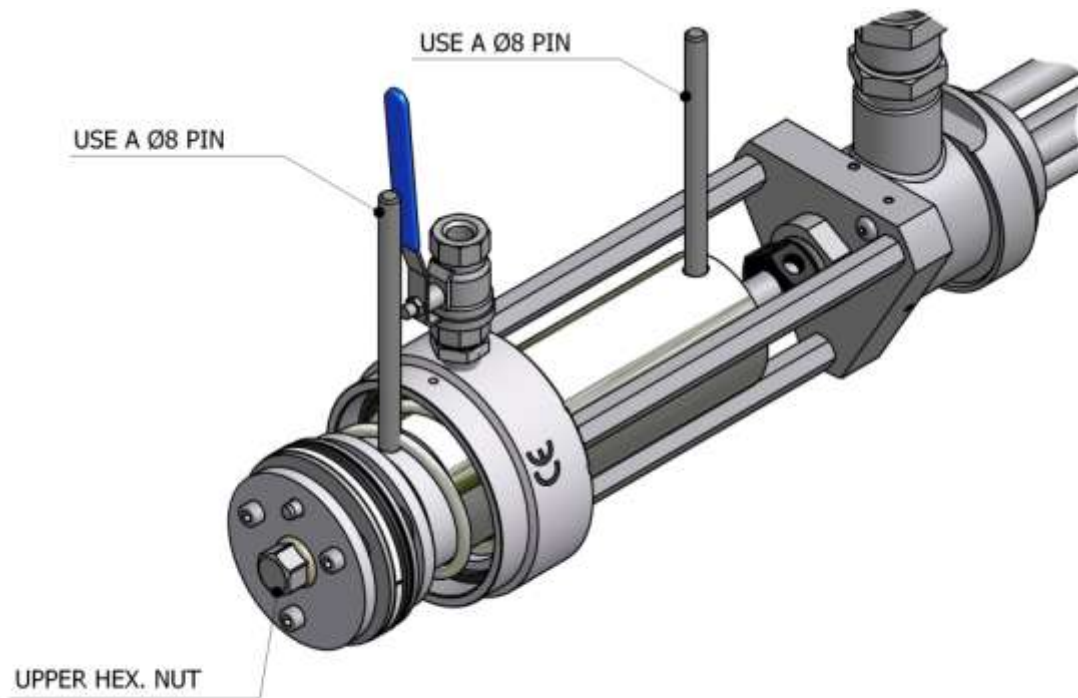


Now you can dismantle the pump.

4. hold the air sleeve and unscrew it from the lower cover.

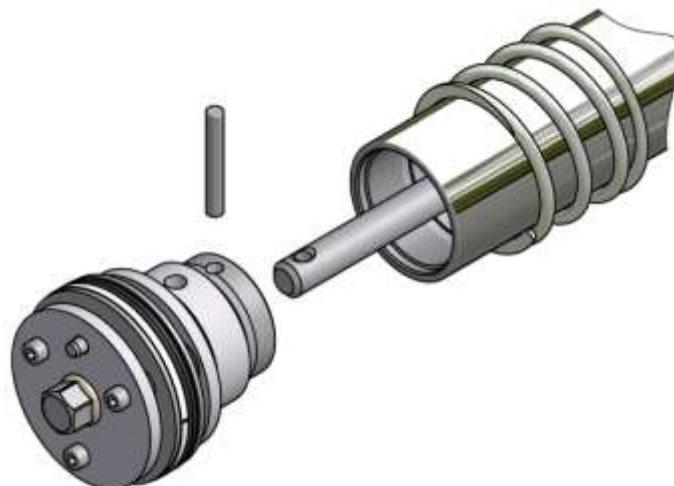


5. Use the two 8 mm (or 5/16") pins for unscrew the lower chrome guide of the plunger.



WARNING! Do not use the hexagonal geometry of the upper nut of the plunger to loosen and unscrew the rod as this can cause irreparable damage to the plunger interior mechanism.

6. Remove the pin fixing the piston and the rod.

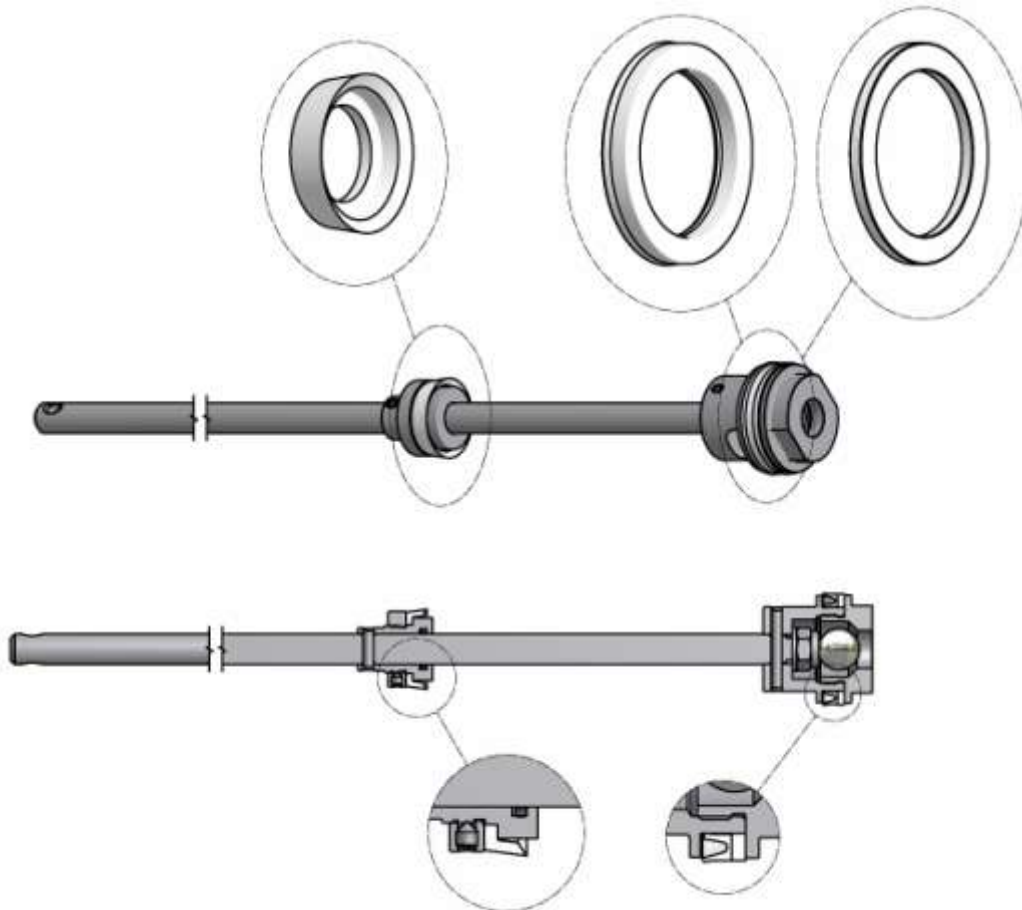




7. Loosen the nut holding the stop valve, push the rod and remove the lower plunger from the pump through the lower suction sleeve.



8. Inspect the seals and replace as necessary.
Pay special attention to the direction of the seals when fitting.



9. Lubricate and fit all parts in reverse order to the process described above.



TROUBLESHOOTING

Problem	Cause	Solution
The pump does not work	The supply air pressure is very low	Check the air supply line and increase the diameter of the supply pipe. Increase the inlet pressure.
	The supply air flow is insufficient	Check the air supply line and increase the diameter of the supply pipe. Open the air inlet valve completely.
	Worn pneumatic piston seals	Replace all worn seals
The pump works too fast	Lack of product	Add product
	Lower valve worn or partially obstructed	Remove the valve, clean it and replace all worn parts as necessary
	Upper valve worn or partially obstructed	Remove the valve, clean it and replace all worn parts as necessary
The pump works, but not enough product comes out	Lower valve worn or partially obstructed	Remove the valve, clean it and replace all worn parts as necessary
	Product outlet line obstructed	Disconnect the outlet hose, feed the product with minimum pressure and check whether the flow increases
	The supply air pressure is too low	Increase the air pressure.
The pump loses product above the upper chamber	Upper chamber piston seal loose or worn	Tighten or replace the seal

COMPONENT IDENTIFICATION

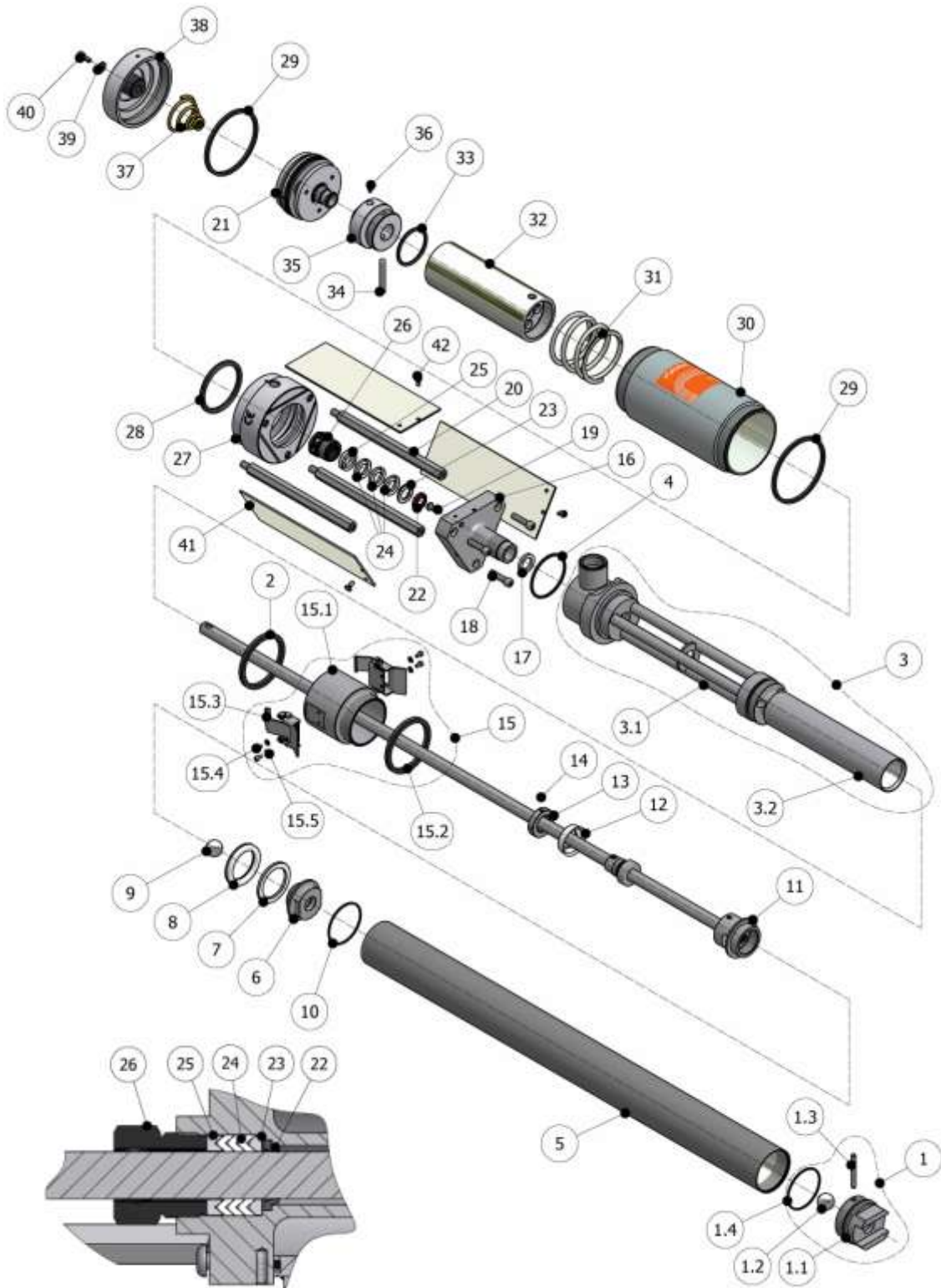


Figure 6. General Diagram.

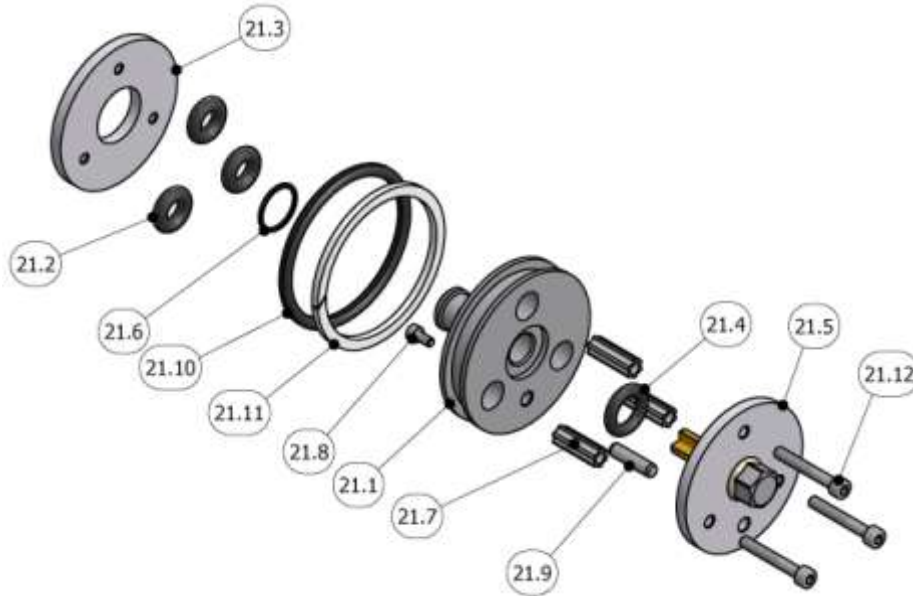


Figure 7. Details of Diagram of Upper Plunger (Pneumatic).

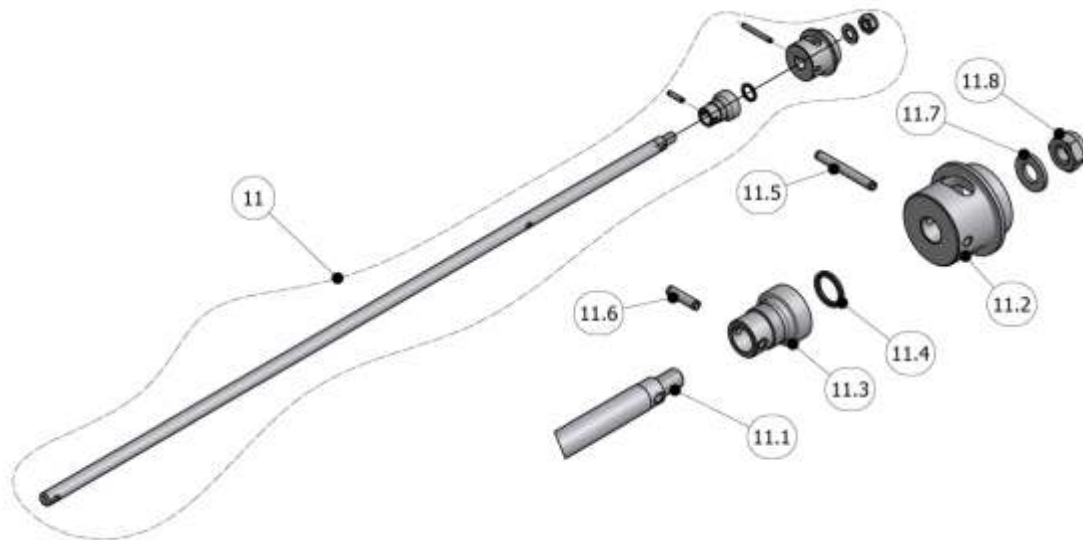


Figure 8. Details of Diagram of Lower Plunger.



Table 9. List of Components

Pos.	Description	Reference	Qty.
1	Suction Valve Unit (includes Pos.1.1 to 1.4)	PU-04002-009	1
1.1	Valve Body	PU-04002-010	1
1.2	Ball	PU-04000-090	1
1.3	Pin	TN-00308	1
1.4	O-ring (*)	OR-00107	1
2	Pump Base seal (*)	PU-04000-040	1
3	Pump Body Unit (includes Pos.3.1 and 3.2)	PU-04002-001	1
3.1	Pump Body	PU-04002-002	1
3.2	Pump Body Interior Sleeve	PU-04002-008	1
4	O-ring (*)	OR-00009	1
5	Pump Suction Sleeve	See Table 10	1
6	Pump Plunger Cover	PU-04000-053	1
7	Pump Lower Plunger Guide (*)	PU04000-067	1
8	Lower Pump Lip Seal (*)	PU-04000-070	1
9	Ball	PU-04000-090	1
10	O-ring (*)	OR-00107	1
11	Pump Body Unit (includes Pos.11.1 to 11.6)	PU-04002-031	1
11.1	Pump Rod	PU-04002-032	1
11.2	Lower Plunger Head	PU-04002-033	1
11.3	Pump Upper Stop Valve Plunger	PU-04002-034	1
11.4	O-ring (*)	OR-00114	1
11.5	Pin	TN-00302	1
11.6	Pin	TN-00303	1
11.7	Washer	TN-00145	1
11.8	Lock Nut	TN-00165	1
12	Pump Upper Plunger Stop Valve (*)	PU-04000-069	1
13	Stop Valve Nut	PU-04000-059	1
14	Trap	TN-00304	1



Service and Components Manual

Pos.	Description	Reference	Qty.
15	Pump Flange Unit (includes Pos.15.1 to 15.5)	See Table 11	1
15.1	Pump Coupling Body	See Table 11	1
15.2	Pump Base seal (*)	PU-04000-040	1
15.3	Pump Flange Staple	PU-04002-040	2
15.4	Round Head Bolt	TN-00020	4
15.5	Washer	TN-00139	4
16	Pump Outlet Body Cover	PU-04002-012	1
17	Test Seat Seal	PU-04000-068	1
18	Bolt	TN-00306	3
19	Bolt	TN-00248	1
20	Air Cylinder Stay	PU-04000-063	3
21	Pneumatic Plunger Unit (includes Pos.21.1 to 21.12)	PU-04002-018	1
21.1	Pneumatic Plunger Body	PU-04002-019	1
21.2	O-ring (*)	OR-00108	3
21.3	Plunger Lower Disk	PU-04002-020	1
21.4	O-ring (*)	OR-00109	1
21.5	Upper Plunger Disk Unit (includes Pos. 21.5.1 to 21.5.4)	PU-04002-021	1
21.5.1	Upper Disk (#)	PU-04002-022	1
21.5.2	Plunger Interior Core (#)	PU-04002-023	1
21.5.3	Upper Plunger Stop (#)	PU-04002-024	1
21.5.4	Sealing Resin (#)	-	1
21.6	O-ring (*)	OR-00110	1
21.7	Pneumatic Plunger Spacer	PU-04002-025	3
21.8	Allen Bolt	TN-00285	1
21.9	Pin	TN-00307	1
21.10	O-ring (*)	OR-00111	1
21.11	Plunger Guide (*)	PU-04002-026	1
21.12	Allen Bolt	TN-00298	3
22	Lip Seal (*)	PU-04002-013	1
23	Stop Valve Lower Support	PU-04002-014	1
24	Stop Valve Segment (*)	PU-04002-015	3
25	Stop Valve Upper Support	PU-04002-016	1
26	Stop Valve Nut	PU-04000-061	1



Pos.	Description	Reference	Qty.
27	Air Cylinder Base	PU-04002-017	1
28	O-ring (*)	OR-00112	1
29	Cylinder Base Seal (*)	PU-04000-081	2
30	Pneumatic Cylinder Sleeve	PU-04000-062	1
31	Lower Spring	PU-04000-073	1
32	Pneumatic Plunger Shaft Unit (includes Pos.32.1 to 32.2)	PU-04002-028	1
32.1	Air Plunger Shaft (#)	PU-04002-029	1
32.2	Guide Insert (#)	PU-04002-030	1
33	O-ring (*)	OR-00113	1
34	Pin	TN-00301	1
35	Pneumatic Rod Head	PU-04002-027	1
36	Trap	TN-00299	1
37	Cylinder Pan Conic Spring	PU-04000-072	1
38	Cylinder Pan Unit (includes Pos.38.1 to 38.2)	PU-04002-035	1
38.1	Air Cylinder Pan (#)	PU-04002-036	1
38.2	Elastic Stopper (#)	PU-04002-037	1
39	Air Purge Bolt Seal (*)	PU-04000-077	1
40	Air Purge Bolt	PU-04000-057	1
41	Rod Protection	PU-04002-042	3
42	Protection Bolt	TN-00317	3

All parts marked with () can be supplied separately or as part of a kit.*

All parts marked with (#) cannot be supplied separately.

Table 10. Variants depending on pump size

Size	Suction Sleeve	Qty.
Pump 54" PU-04002	PU-04002-011	1
Pump 46" PU-04003	PU-04002-041	1

N.B.: *The 54" and 46" pumps contain the same parts, except for that indicated in Table 10.*



Table 11. Pump Flange Unit

POS.15	POS.15.1	Pump	Minimal High of Tank (*)
PU-04002-038	PU-04002-039	PU-04002 (54")	858 mm
		PU-04003 (46")	655 mm
PU-04002-038A	PU-04002-039A	PU-04002 (54")	843 mm
		PU-04003 (46")	640 mm
PU-04002-038B	PU-04002-039B	PU-04002 (54")	793 mm
		PU-04003 (46")	590 mm
PU-04002-038C	PU-04002-039C	PU-04002 (54")	748 mm
		PU-04003 (46")	545 mm
PU-04002-038D	PU-04002-039D	PU-04002 (54")	688 mm
		PU-04003 (46")	485 mm

N.B.:

The Standard Pumps included the Flange Unit PU-04002-038. If you need another model, please consult with our Marketing Department.

() The dimensions of the tank can change ± 5 mm*

Table 12. KT-00097 (Pneumatic Plunger Seal Kit)

Pos.	Description	Reference	Qty.
21.2	O-ring (*)	OR-00108	3
21.4	O-ring (*)	OR-00109	1
21.6	O-ring (*)	OR-00110	1
21.10	O-ring (*)	OR-00111	1
21.11	Plunger Guide (*)	PU-04002-026	1

Table 13. KT-00098 (Upper Stop Valve Kit)

Pos.	Description	Reference	Qty.
22	Lip Seal (*)	PU-04002-013	1
24	Stop Valve Segment (*)	PU-04002-015	3



Table 14. KT-00099 (Pump Lower Plunger Kit)

Pos.	Description	Reference	Qty.
7	Pump Lower Plunger Guide (*)	PU04000-067	1
8	Lower Plunger Lip Seal (*)	PU-04000-070	1

Table 15. KT-00100 (Pump Upper Plunger Kit)

Pos.	Description	Reference	Qty.
11.4	O-ring (*)	OR-00114	1
12	Pump Upper Plunger Stop Valve (*)	PU-04000-069	1

Table 16. KT-00101 (Transfer Pump Seal Complete Kit)

Pos.	Description	Reference	Qty.
1.4 (10)	O-ring (*)	OR-00107	2
2 (15.2)	Pump Base seal (*)	PU-04000-040	2
4	O-ring (*)	OR-00009	1
7	Pump Lower Plunger Guide (*)	PU04000-067	1
8	Lower Plunger Lip Seal (*)	PU-04000-070	1
11.4	O-ring (*)	OR-00114	1
12	Pump Upper Plunger Stop Valve (*)	PU-04000-069	1
17	Test Seat Seal	PU-04000-068	1
21.2	O-ring (*)	OR-00108	3
21.4	O-ring (*)	OR-00109	1
21.6	O-ring (*)	OR-00110	1
21.10	O-ring (*)	OR-00111	1
21.11	Plunger Guide (*)	PU-04002-026	1
22	Lip Seal (*)	PU-04002-013	1
24	Stop Valve Segment (*)	PU-04002-015	3
28	O-ring (*)	OR-00112	1
29	Cylinder Base Seal (*)	PU-04000-081	2
33	O-ring (*)	OR-00113	1
39	Air Purge Bolt Seal (*)	PU-04000-077	1



Table 17. List of Complements

Description	Reference	Qty.
Tin of Lubriplate Grease 397 g	BI-00008	1
Tin of Lubriplate Grease 49 g	BI-00009	1
Teflon Sealing Paste 50 ml	BI-00016	1



CONTENT

Guarantee	2
Safety and Handling	3
Typical Installation	5
Description	6
Operation Diagram	7
Pneumatic Motor Operation	8
Pumping Mechanism Operation	8
Technical Specifications	9
Kits List of Transfer Pumps	10
Transfer Pumps Kits	11
Installation	18
Stopping method	22
Cleaning	22
Dismantling and Maintenance	24
troubleshooting	28
Component Identification	29
Content	37
Illustrations List	37
List of Tables	38

ILLUSTRATIONS LIST

Figure 1. Typical Installation in a G-50 H with recirculation.	5
Figure 2. Operation Diagram	7
Figure 3. General Dimensions	9
Figure 4. Compact ES-125 A Assy	21
Figure 5. Easy-Spray Assy	21
Figure 6. General Diagram.	29
Figure 7. Details of Diagram of Upper Plunger (Pneumatic).	30
Figure 8. Details of Diagram of Lower Plunger.	30



LIST OF TABLES

Table 1. Kits List of Transfer Pumps	10
Table 2. Transfer Pump Kit NE-00040, Parts List	11
Table 3. Transfer Pump Kit NE-00040-01, Parts List	12
Table 4. Transfer Pump Kit NE-00040-02, Parts List	13
Table 5. Transfer Pump Kit NE-00041, Parts List	14
Table 6. Transfer Pump Kit NE-00041-01, Parts List	15
Table 7. Transfer Pump Kit NE-00041-02, Parts List	16
Table 8. Transfer Pump Kit NE-00041-03, Parts List	17
Table 9. List of Components	31
Table 10. Variants depending on pump size	33
Table 11. Pump Flange Unit	34
Table 12. KT-00097 (Pneumatic Plunger Seal Kit)	34
Table 13. KT-00098 (Upper Stop Valve Kit)	34
Table 14. KT-00099 (Pump Lower Plunger Kit)	35
Table 15. KT-00100 (Pump Upper Plunger Kit)	35
Table 16. KT-00101 (Transfer Pump Seal Complete Kit)	35
Table 17. List of Complements	36